

- 501: Solid HSS M2
- 501: Solid HSS M35 (5%) Cob
- 502: Split HSS M2

d	P	D	E	501 M2 Price £	501 M35 Price £	502 M2 Price £
M1	0.25	16	5	36.40	-	36.40
M1.1	0.25	16	5	37.65	-	37.65
M1.2	0.25	16	5	37.65	-	37.65
M1.4	0.3	16	5	37.65	-	37.65
M1.6	0.35	16	5	36.40	-	36.40
M1.7	0.35	16	5	36.40	-	36.40
M1.8	0.35	16	5	35.80	-	35.80
M2	0.4	16	5	25.20	31.85	25.20
M2.2	0.45	16	5	25.20	31.85	25.20
M2.3	0.4	16	5	25.20	-	25.20
M2.5	0.45	16	5	25.20	33.40	25.20
M2.6	0.45	16	5	29.15	36.40	29.15
M3	0.5	20	5	21.25	29.15	21.25
M3	0.6	20	5	44.95	-	44.95
M3.5	0.6	20	5	36.40	36.40	36.40
M4	0.7	20	5	29.15	29.15	29.15
M4	0.75	20	5	21.25	-	21.25
M4.5	0.75	20	7	36.40	-	36.40
M5	0.8	20	7	21.25	29.15	21.25

Reamers

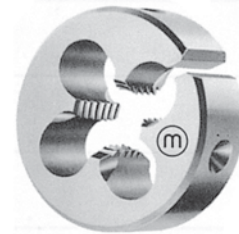
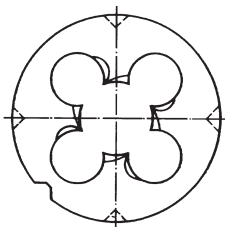
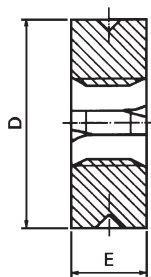
Centre Drills &
Spotting Drills

Countersinks
Counterbores

Slot Drills
End Mills

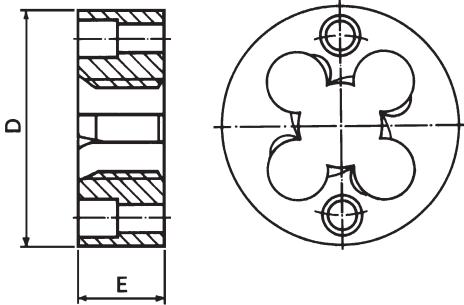
Taps &
Dies

TUSA
Carbide Tooling



501: Solid HSS M2
501: Solid HSS M35 (5%) Cob
502: Split HSS M2

d	P	D	E	501 M2 Price £	501 M35 Price £	502 M2 Price £
M5	0.9	20	7	46.15	-	46.15
M6	1	20	7	21.25	29.75	21.25
M7	1	25	9	27.30	-	27.30
M8	1.25	25	9	22.45	29.75	22.45
M9	1.25	25	9	32.45	-	32.45
M10	1.5	30	11	29.75	37.05	29.75
M11	1.5	30	11	38.25	-	38.25
M12	1.75	38	14	34.60	49.20	34.60
M14	2	38	18	43.10	52.20	43.10
M16	2	45	18	47.35	61.95	47.35
M18	2.5	45	18	56.45	73.50	56.45
M20	2.5	45	18	49.20	-	49.20
M22	2.5	55	22	71.05	-	71.05
M24	3	55	25	67.40	-	67.40
M27	3	65	25	97.20	-	97.20
M30	3.5	65	25	103.25	-	103.25
M33	3.5	65	25	109.95	-	109.95
M36	4	65	25	114.80	-	114.80
M39	4	75	30	171.30	-	171.30



503: Button (2 hole) HSS M2

d	P	D	E	Price £
M1	0.25	8	1.6	40.05
M1	0.25	12	2	43.10
M1.1	0.25	8	1.6	43.10
M1.1	0.25	12	2	43.10
M1.2	0.25	8	1.6	43.10
M1.2	0.25	12	2	43.10
M1.4	0.3	12	2	43.10
M1.4	0.3	16	2	43.10
M1.6	0.35	12	2	41.30
M1.6	0.35	16	2	41.30
M1.7	0.35	12	2	41.30
M1.7	0.35	16	2	41.30
M1.8	0.35	12	2	41.30
M1.8	0.35	16	2	41.30
M2	0.4	12	2.5	25.20
M2	0.4	16	2.5	25.20
M2.2	0.45	12	3	25.20
M2.2	0.45	16	3	25.20
M2.3	0.4	12	2.5	27.30

d	P	D	E	Price £
M2.5	0.45	12	3	25.20
M2.5	0.45	16	3	25.20
M2.6	0.45	12	3	27.30
M2.6	0.45	16	3	27.30
M3	0.5	16	3.5	21.25
M3.5	0.6	16	4	23.35
M4	0.7	16	5	21.25
M4.5	0.75	20	5	27.30
M5	0.8	20	6	20.00
M6	1	20	7	20.00
M7	1	25	7	25.80
M8	1.25	25	9	21.25
M9	1.25	25	9	31.85
M10	1.5	30	11	29.75
M12	1.75	35	12	34.60
M14	2	35	14	41.90
M16	2	45	18	57.10
M18	2.5	55	18	73.50
M20	2.5	55	18	68.65

Reamers

Centre Drills & Spotting Drills

Countersinks & Counterbores

Slot Drills & End Mills

Taps & Dies

TUSA
Carbide Tooling